

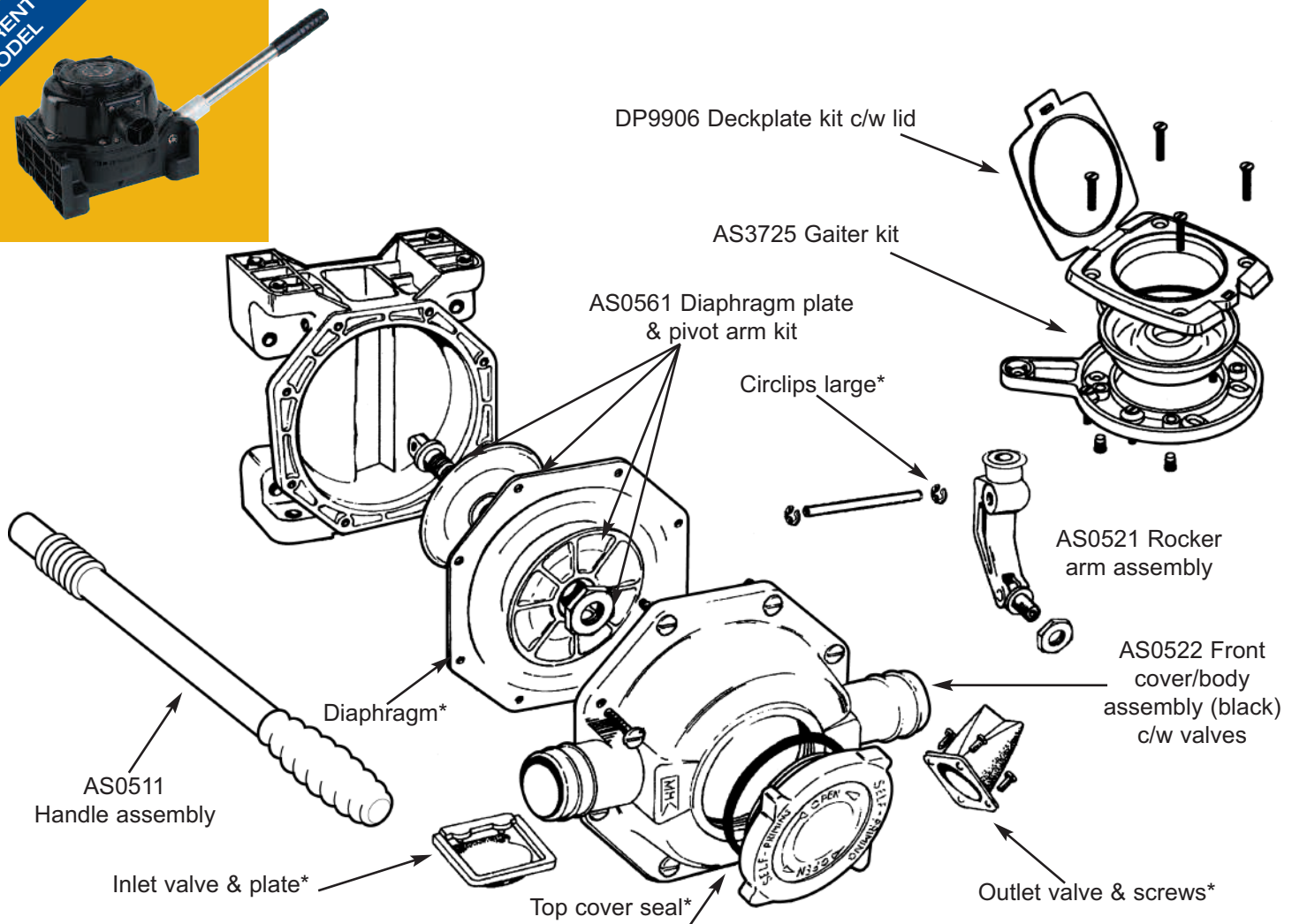


Manual Bilge Pumps

Mk 5 Universal Pump

BP0510/MH0510** - Bilge and Waste Water Transfer Pump

Note* Contained in Service Kit AK8050. **Note**** MH0510 is now discontinued



Note: Same Service Kits apply to Mk 5 Universal Henderson model

Accessories

DP9906 Deckplate Kit (includes cover)

AS0511 Spare Handle

AS3725 Gaiter Kit for Deckplates

| Qty | Containing |
|-----|---|
| 1 | Gaiter (for plastic or metal deckplates) |
| 1 | O-ring (for metal deckplate G10 & G30 only) |

YP6114 1 1/2" Y Piece

EB33488 1 1/2" Elbow

LV1215 1" / 1 1/2" Non Return Valve

SF5425 1 1/2" Skin Fitting

Service Kits

AK8050 Service Kit with Complete Set of Serviceable Parts for Mk 5 Universal Pump

| Qty | Containing |
|-----|-------------------|
| 1 | Inlet valve plate |
| 1 | Inlet valve |
| 2 | Valve screw long |
| 1 | Top cover seal |
| 1 | Diaphragm |
| 1 | Outlet valve |
| 2 | Valve screw long |
| 2 | Circlip large |
| 2 | Circlip small |
| 8 | Screw M5x25 |
| 8 | Nut M5 |



DP9906



AK8050



AS0511



AS0521



Manual Bilge Pumps

Mk 5 Universal Pump

BP0510/MH0510** - Bilge and Waste Water Transfer Pump

Note** MH0510 is now discontinued



AS0561



AS0522



AS3725



EB3488



LV1215



SF5425



YP6114

Service Kits (Continued)

AS0521 Rocker Arm Assembly

| Qty | Containing |
|-----|----------------|
| 1 | Rocker arm |
| 1 | Pivot arm |
| 1 | Rocker arm nut |
| 1 | Pivot pin |
| 1 | Hinge pin |
| 2 | Circlip large |
| 2 | Circlip small |

AS0561 Diaphragm Plate & Pivot Arm Kit

| Qty | Containing |
|-----|-----------------|
| 1 | Pivot arm |
| 2 | Diaphragm plate |
| 1 | Rocker arm nut |
| 2 | Circlip small |

AS0522 Front Cover/ Body Assembly (black) c/w Valves

| Qty | Containing |
|-----|--------------------------|
| 1 | Top cover |
| 1 | Front cover/body (black) |
| 1 | Inlet valve plate |
| 1 | Inlet valve |
| 2 | Valve screw short |
| 1 | Top cover seal |
| 8 | Assembly screw |
| 1 | Outlet valve |
| 2 | Valve screw long |