



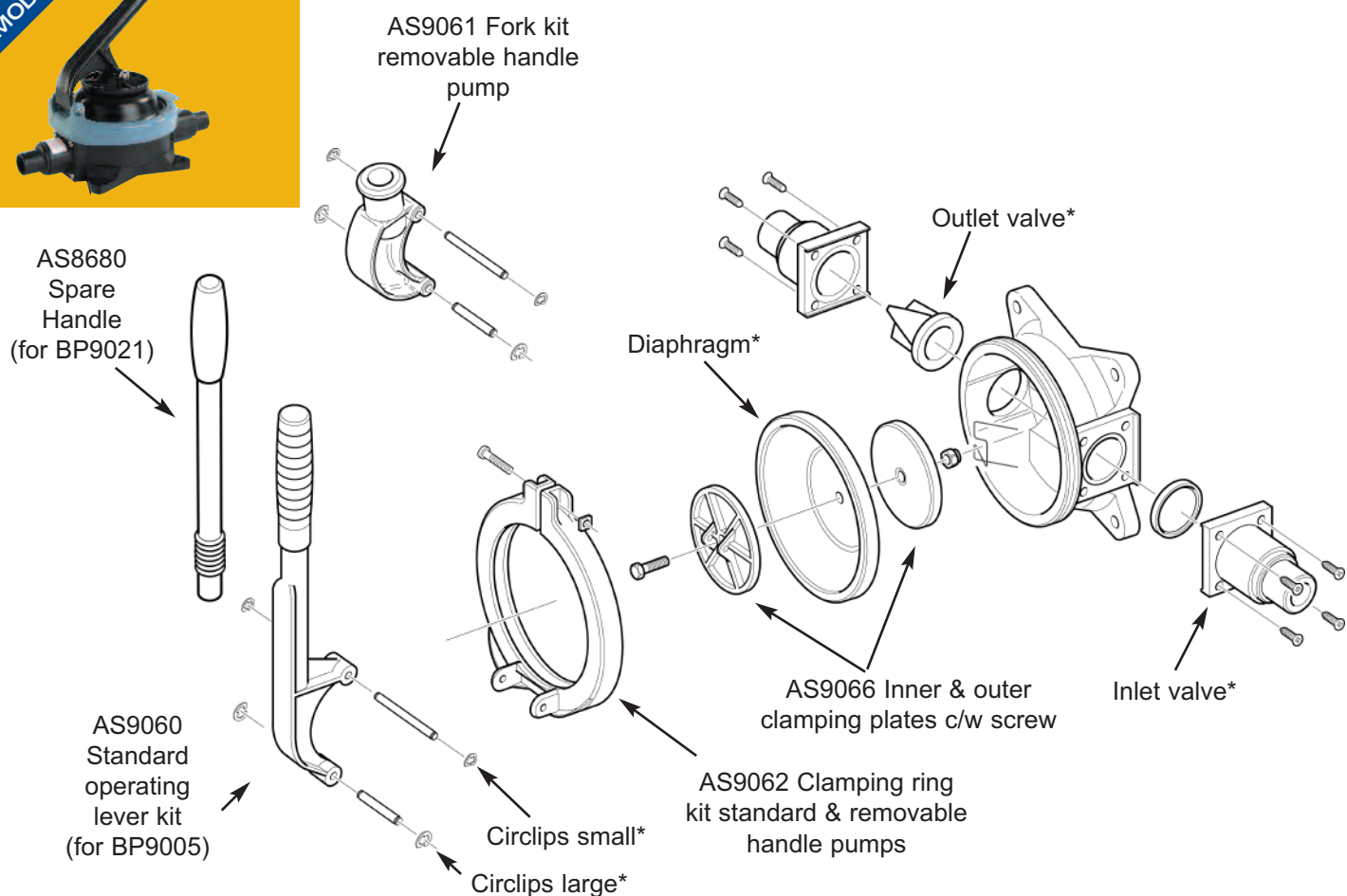
Manual Bilge Pumps

Gusher® Urchin Compact Bilge and Waste Pump

On Deck/Bulkhead: BP9005 - Fixed Handle Compact Bilge & Waste Pump

On Deck/Bulkhead: BP9021 - Removable Handle Compact Bilge & Waste Pump

Note* Contained in Service Kit AK9003 (Neoprene™) or AK9011 (Nitrile®)



Accessories

- AS8680 Spare Handle (for BP9021 only)
- SB4222 Side Entry Strainer
- SB5865 Top Entry Strainer
- SF5204 1" Skin Fitting
- SF5425 1 1/2" Skin Fitting
- YP6114 1 1/2" Y Piece
- YP6130 1/2" Y Piece
- LV1215 1" / 1 1/2" Non Return Valve
- LV1219 3/4" / 1" Non Return Valve
- EB3364 1" Elbow
- EB3488 1 1/2" Elbow

Service Kits

AK9003 Service Kit with Complete Set of Serviceable Parts for Urchin (Neoprene™)
AK9011 Service Kit with Complete Set of Serviceable Parts for Urchin (Nitrile®)

Qty	Containing
1	Diaphragm
1	Inlet valve
1	Outlet valve
2	Circlip small
2	Circlip large

AS9060 Standard Operating Lever Kit

Qty	Containing
1	Lever sleeve (black)
1	Lever
1	Short fulcrum pin
2	Circlip large

2	Circlip small
1	Fulcrum pin

AS9061 Fork Assembly for Underdeck & Removable Handle Pumps

Qty	Containing
1	Short fulcrum pin
1	Fork
2	Circlip small
2	Circlip large
1	Long fulcrum pin (underdeck)
1	Fulcrum pin (removable handle)

AS9062 Clamping Ring Kit for Standard & Removable Handle Pumps

Qty	Containing
1	Clamping ring
1	Pinching screw
1	Nut
2	Circlip small
2	Circlip large



Manual Bilge Pumps

Gusher® Urchin Compact Bilge and Waste Pump

On Deck/Bulkhead: BP9005 - Fixed Handle Compact Bilge & Waste Pump

On Deck/Bulkhead: BP9021 - Removable Handle Compact Bilge & Waste Pump



AK9003



AK9011



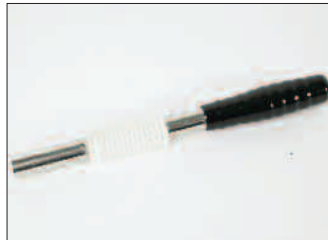
AS9060 - BP9005



AS9061 - BP9021



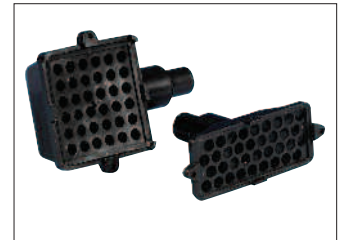
AS9062



AS8680 for BP9021 only



AS9066



SB4222 / SB5865



SF5204/SF5425



EB3363/EB3488



YP6114



LV1215

Service Kits (Continued)

AS9066 Inner & Outer Clamping Plate Kit

Qty	Containing
1	Clamping nut nylon
1	Inner clamping plate
1	Outer clamping plate
1	Clamping screw
2	Circlip small
2	Circlip large

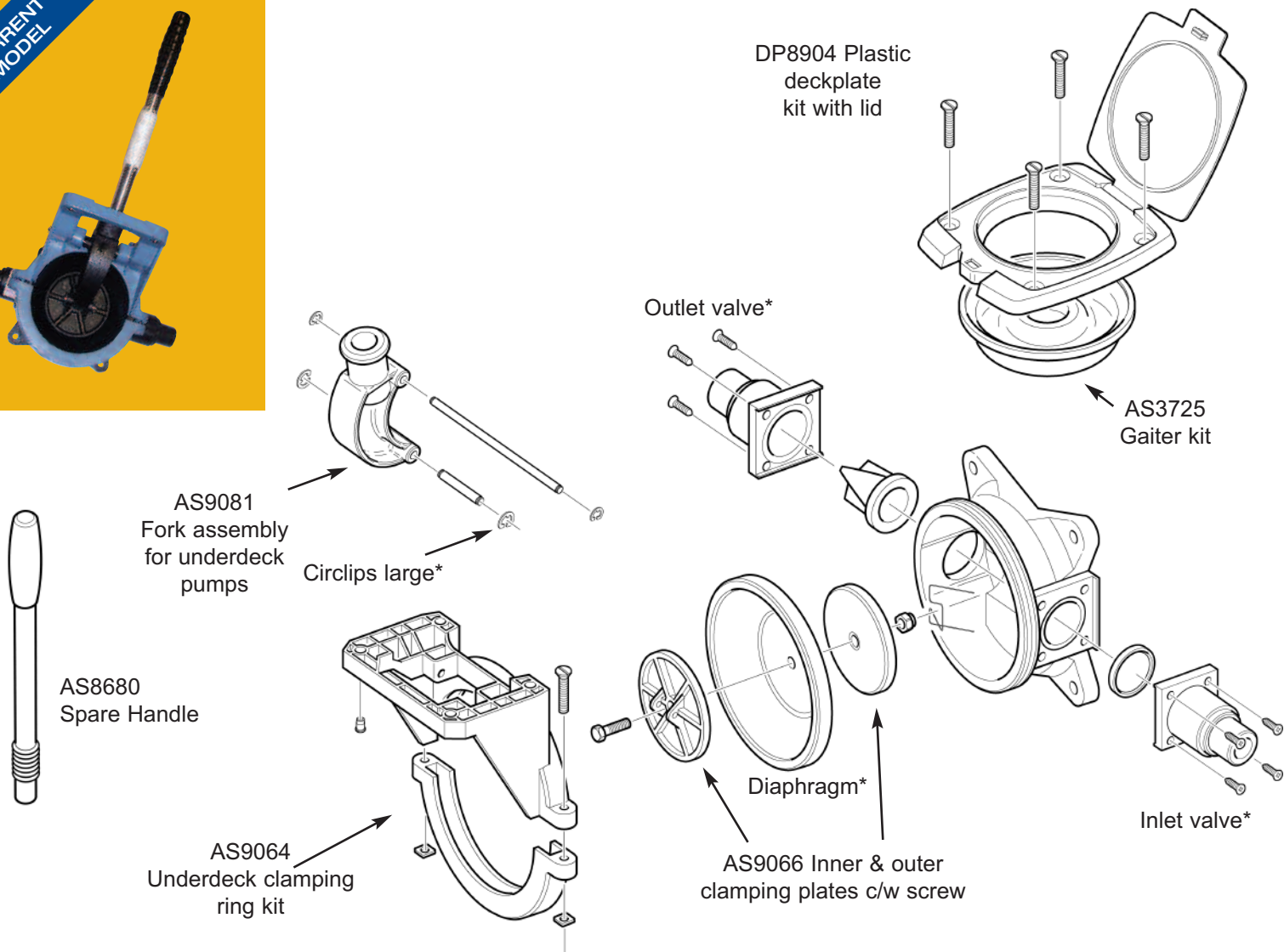


Manual Bilge Pumps

Gusher® Urchin Underdeck

Underdeck: BP9013 - Compact Bilge & Waste Water Transfer Pump

Note* Contained in Service Kit AK9003 (Neoprene™) or AK9011 (Nitrile®)



Accessories

- AS8680 Spare Handle
- SB4222 Side Entry Strainer
- SB5865 Top Entry Strainer
- SF5204 1" Skin Fitting
- SF5425 1 1/2" Skin Fitting
- YP6114 1 1/2" Y Piece
- LV1215 1" / 1 1/2" Non Return Valve
- EB3364 1" Elbow
- EB3488 1 1/2" Elbow

Service Kits

AK9003 Service Kit with Complete Set of Parts for Gusher® Urchin (Neoprene™) (See list below)

AK9011 Service Kit with Complete Set of Parts for Gusher® Urchin (Nitrile®)

- | Qty | Containing |
|-----|---------------|
| 1 | Diaphragm |
| 1 | Inlet valve |
| 1 | Outlet valve |
| 2 | Circlip small |
| 2 | Circlip large |

AS9064 Underdeck Clamping Ring Kit

- | Qty | Containing |
|-----|-------------------|
| 1 | U/D clamping ring |
| 1 | Pinching screw |
| 4 | Insert |
| 1 | Nut |
| 4 | Circlip |

AS3725 Gaiter Kit for Deckplates

- | Qty | Containing |
|-----|---|
| 1 | Gaiter (for plastic or metal deckplate) |
| 1 | O-ring (for metal deckplate Whale Gusher® 10 & Whale Gusher® 30 only) |

Underdeck: BP9013 - Compact Bilge & Waste Water Transfer Pump



AK9003



AK9011



AS3725



AS8680



AS9061



AS9064



AS9066



DP8904



SB4222



SB5865



SF5204



SF5425



YP6114



LV1215



EB3364/EB3488

Service Kits (Continued)

AS9066 Inner & Outer Clamping Plate Kit

Qty	Containing
1	Clamping nut nyloc
1	Inner clamping plate
1	Outer clamping plate
1	Clamping screw
2	Circlip (small)
2	Circlip (large)

AS9061 Fork Assembly

Qty	Containing
1	Short fulcrum pin
1	Fork
2	Circlip large
2	Circlip small
1	Long fulcrum pin (underdeck)
1	Fulcrum pin (removable handle)

DP8904 Plastic Deckplate with Lid

Qty	Containing
1	Deckplate & lid
1	Gaiter
6	Screws M6x40
6	Nuts M6
6	Washers M6