

Whale 12 V Water Heater

Hot Water On the Go For Outboard Boats

Whale's unique 12 V Water Heater ideal for use on outboard boats. With 3 US Gal capacity the heater delivers fast water heat up and long heat retention for all your hot water needs on board

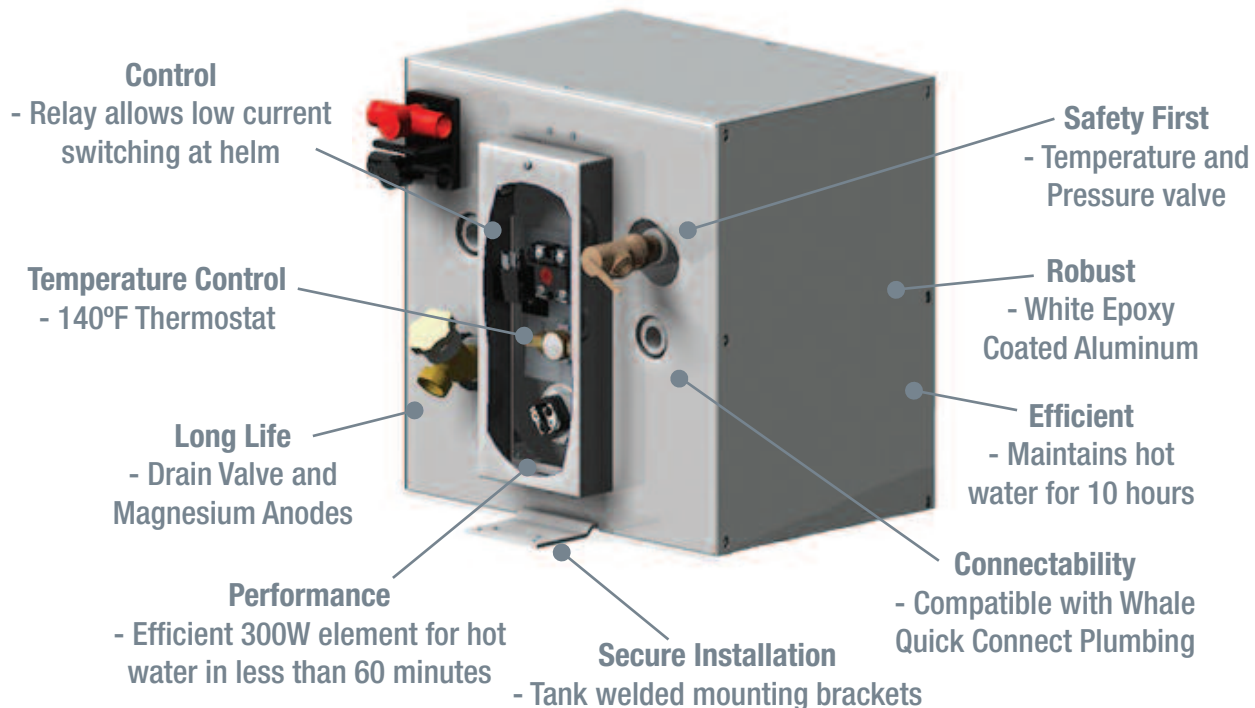
MAGNESIUM ANODE AND DRAIN VALVE COMBO INCLUDED FOR LONGER TANK LIFE

Heat Up Time

140° F / 60° C - 80 minutes
104° F / 40° C - 41 minutes*

Heat Retention

From 140° F / 60° C - 104° F / 40° C
10 hours, 8 minutes*



12 V Power Supply - No Generator/ Inverter/ Shore Power Required

- **Rapid Heat Up**
- Hot water in less than 1 hour*
- **Ideal For Use With Deck Showers**
- Perfect for warming wetsuits
- **Safety Features**
- Low current switching
- Integrated temperature and pressure valve
- Thermal cut-out
- Heating Indication output
- Ignition protected (ABYC E-11)
- **Compact Design**
- Fits in small places

2 Year Warranty

COMPLETE YOUR SYSTEM

Freshwater system accessories such as water filters, and pipework connections – page 76-77

YOU MAY ALSO LIKE

Watermaster Automatic Pressure Pumps – page 54
Whale Quick Connect plumbing - Pipe-work and fittings – page 90-93

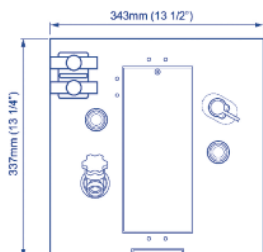
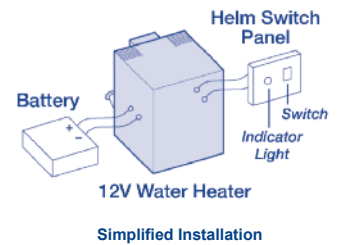
Model Specifications

Product Code	S360EW
Capacity	3 US Gals (12 Ltrs)
Recommended Fuse Size	35 Amps
Current Draw	30 Amps
Electrical Supply	12 V DC, 300W
Maximum Water Temperature	140°F (60°C)
T&P Valve Specs	210°F (99°C), 75psi (5.2bar)
Materials	Tank - ALCLAD Casing - White Aluminium
Maximum Tested Pressure	300psi (20.7bar)*
Connections	½" NPT Female
Weight	15lbs (6.8kg)

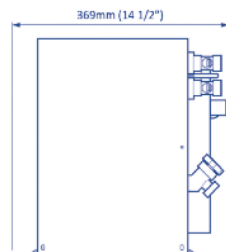
**Note, ABYC requirements 125psi, H-23

Note: All Whale Water Heaters must be installed and serviced by a qualified electrician

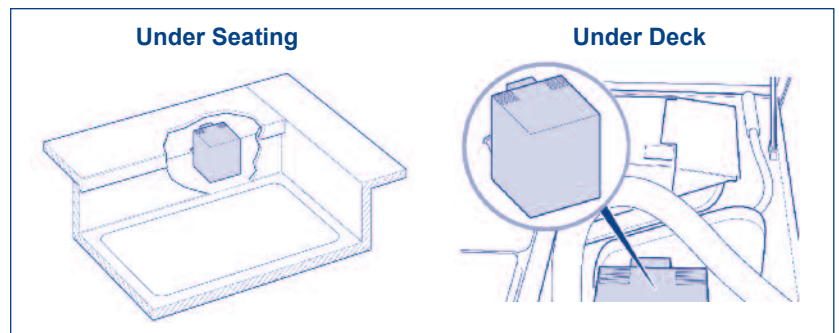
*Based on Whale in-house laboratory testing 2014



Front view



Side View



Typical Installation