

Swim 'n' Rinse Transom Shower

The classic design in deck showers for easy washdown on the transom after swimming. Simply swim and rinse without wasting water.



Lightweight and durable ABS exterior shower range - add a touch of luxury on board

- Designed for easy rinse down after swimming
- Fit in convenient locations on deck - extra long 2.1 m (7 ft) hose
- Save water on board - On/off control on shower handset allows you to set temperature and only use the water you need
- Neat hinged cover with latch to close
- White high shine finish matches the gel coat
- Available with/without cover
- Simple connection to either Quick connect 15mm pipework/ 1/2" hose connection

1 Year Warranty

COMPLETE YOUR SYSTEM

Freshwater system accessories such as water filters, and pipework connections – page 76-77

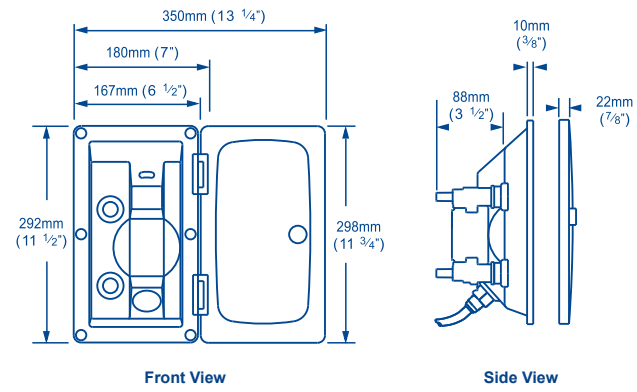
YOU MAY ALSO LIKE

- Whale Twist® - Deck Shower with integrated Temperature and Flow Controls – page 72
- Swim 'n' Rinse Compact – deck shower – Ideal where space is limited on deck – page 74
- Watermaster Automatic Pressure Pumps – page 54
- Whale® water filters – page 76

i Product Information

Model Specifications

Model	Cold Only (no cover)	Cold Only (cover included)	Hot and Cold Mixer (no cover)	Hot and Cold Mixer (cover included)
Product Code	RT1648	RT1649	RT2648	RT2658
Colour	White			
Base Plate	167 mm (6 1/2") X 292 mm (11 1/2")			
Depth Beneath Surface	88 mm (3 1/2")			
Hose Connections	1/2" Male Threaded (BSP / NPT)			
Connection to Quick Connect 15 mm Plumbing	Use WX1532 - Adaptor Female 1/2" – 15 mm			
Hose Length	2.1 m (7 ft)			



Note: These specifications are retail items only.
 For details of our bulk pack range for boat builders and wholesalers - contact Whale Support.
 Note: only suitable for pressure systems up to 45psi /3 bar