

Tiptoe Pump Mk 4

Self priming foot pump that safely and discreetly fits flush to floor when not in use

Foot pump with smooth operation

Product code: see table

5 Year Warranty



Features and Benefits

Why Tiptoe?

Whale manual self priming galley pumps - simple foot operated solution for pumping water in the galley

- Easy, smooth action
- Designed for neat, through-floor mount
- Plunger locks down flush with the floor when not in use
- Comfortable for bare foot use
- 7 ltr (1.85 US gals) / minute capacity
- Suitable for fresh or salt water
- Ideal as a priming pump for use with Whale inline electric impeller pumps

COMPLETE YOUR SYSTEM

Freshwater system accessories such as water filters, and pipework connections – page 76-77

YOU MAY ALSO LIKE

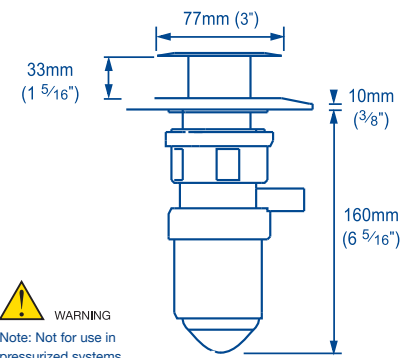
- Whale water filters – page 76
- Whale inline booster pumps to fit with Tiptoe – page 60
- Watermaster Automatic Pressure Pumps – page 54

Product Information

Model Specifications

Model	Tiptoe
Product Code	GP1309
Hose Connections	Suitable for 13 mm (1/2") Flexible Hose
Weight	0.4 kg (0.9 lbs)
Materials	Pump Body: Acetal, Nylon, Polypropylene Seals: Neoprene, Nitrile®, Phosphor Bronze, Fasteners: Stainless Steel
Service Kit	AK1304 - Service Kit for Tiptoe Mk 3 and Mk 4 Models Contains: Washers, Valve Plates, Circlips
Maximum Suction Lift	2 m (7 ft)
Maximum Discharge Head	4 m (12 ft)
Maximum Output per Minute	7 ltrs (1.85 US gals)

Note: These specifications are retail items only.
For details of our bulk pack range for boat builders and wholesalers - contact Whale Support.



WARNING
Note: Not for use in pressurized systems

Side View